


PRODUCT CODE	SIZE	FINISH	
LG.LA351	120	01.153	
PRODUCT		Satin Stainless Steel Grade 304	
PULL HANDLE	30mm diameter X 1200mm centres		LAIDLAW GULF LLC

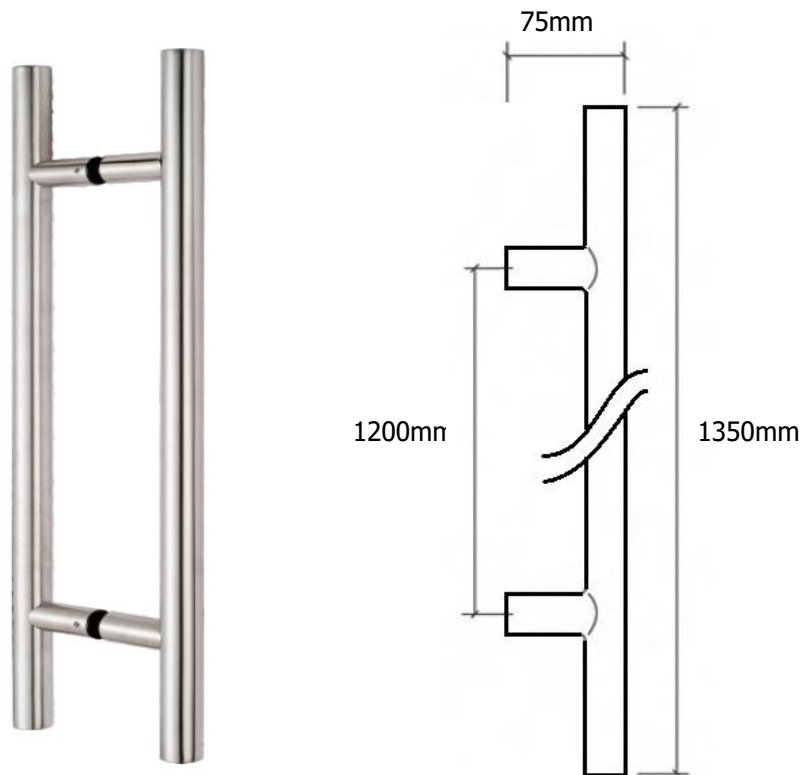
**DESCRIPTION**

**PULL HANDLE**

**Features**

- "T" Corner, Round Bar pull handle
- 30mm diameter
- 1200mm centres
- 1350mm total length
- 75mm projection
- Meet the requirements of BS8300 for DDA applications
- Supplied complete with back to back fixings to suit timber or steel door
- Stainless Steel Grade 304, Satin finish

**IMAGE / TECHNICAL DRAWING**



**LAIDLAW GULF LLC**  
P.O. Box: 185292, 301 Mayfair Building, DIP-1, Dubai, UAE  
Tel: 04-8857404 E-mail: [info@laidlaw.ae](mailto:info@laidlaw.ae)  
Website: [www.laidlaw.ae](http://www.laidlaw.ae)

Member : Guild of Architectural Ironmongers



ISO 9001 Certificate number AE87236A

