


PRODUCT CODE	SIZE	FINISH	
<b>LG.LA347</b>	<b>150</b>	<b>01.153</b>	
PRODUCT		Satin Stainless Steel Grade 304	SUPPLIER
PULL HANDLE	30mm diameter X 1500mm centres		LIDLAW GULF LLC

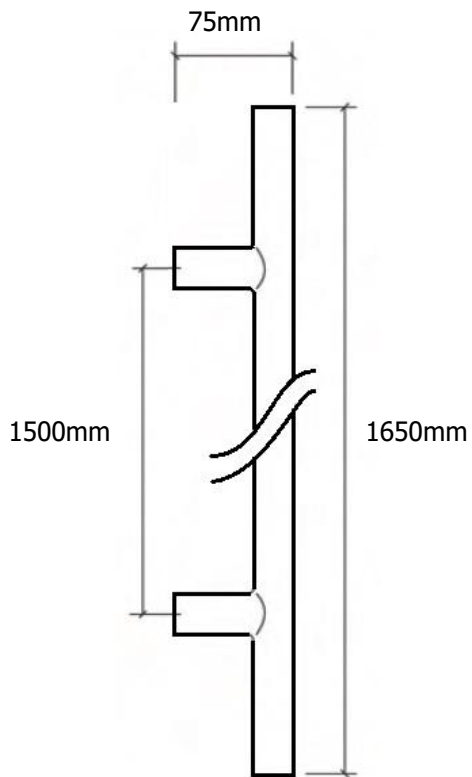
**DESCRIPTION**

**PULL HANDLE**

**Features**

- "T" Corner, Round Bar pull handle
- 30mm diameter
- 1500mm centres
- 1650mm total length
- 75mm projection
- For push/pull applications select an appropriate push plate for the other side of the door
- Meet the requirements of BS8300 for DDA applications
- Supplied complete with bolt through fixings to suit timber or steel door
- Stainless Steel Grade 304, Satin finish

**IMAGE / TECHNICAL DRAWING**



**LIDLAW GULF LLC**  
P.O. Box: 185292, 301 Mayfair Building, DIP-1, Dubai, UAE  
Tel: 04-8857404 E-mail: [info@laidlaw.ae](mailto:info@laidlaw.ae)  
Website: [www.laidlaw.ae](http://www.laidlaw.ae)

Member : Guild of Architectural Ironmongers



ISO 9001 Certificate number AE87236A

