


PRODUCT CODE	SIZE	FINISH	
LG.LAPF004	218	01.153	
PRODUCT		Satin Stainless Steel Grade 304	SUPPLIER
PATCH FITTING	218mm X 106mm X 51mm X 51mm X 31mm		LAIDLAW GULF LLC

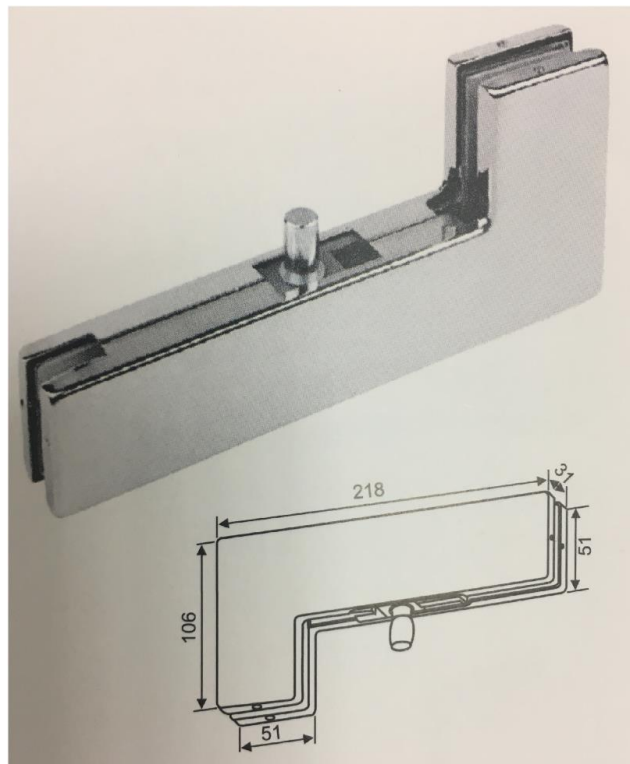
DESCRIPTION

SIDE PANEL PATCH FITTING

Features:

- Suitable for 10 – 12mm thick Glass
- With Aluminium body
- 218mm X 106mm X 51mm X 51m X 31mm
- With Stainless Steel Grade 304, Satin finish Cover
- Up to 80kg maximum door weight
- Up to 1100mm maximum door width

IMAGE / TECHNICAL DRAWING



LAIDLAW GULF LLC
P.O. Box: 185292, 301 Mayfair Building, DIP-1, Dubai, UAE
Tel: 04-8857404 E-mail: info@laidlaw.ae
Website: www.laidlaw.ae

Member : Guild of Architectural Ironmongers



ISO 9001 Certificate number AE87236A

