


PRODUCT CODE	SIZE	FINISH	
LG.LAPF003D	105	01.153	
PRODUCT		Satin Stainless Steel Grade 304	SUPPLIER
PATCH FITTING	105mm X 28mm X 2.5mm		LAIDLAW GULF LLC

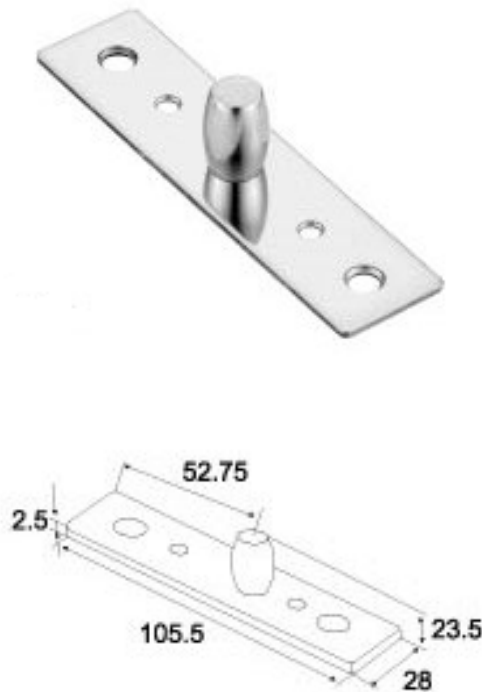
DESCRIPTION

TOP PIVOT

Features:

- Compatible with Standard Pivot or Floor Spring
- 105mm X 28mm X 2.5mm
- Stainless Steel Grade 304, Satin finish
- Supplied with fixing screws

IMAGE / TECHNICAL DRAWING



LAIDLAW GULF LLC
 P.O. Box: 185292, 301 Mayfair Building, DIP-1, Dubai, UAE
 Tel: 04-8857404 E-mail: info@laidlaw.ae
 Website: www.laidlaw.ae

Member : Guild of Architectural Ironmongers



ISO 9001 Certificate number AE87236A

