


PRODUCT CODE	SIZE	FINISH	
LG.LAPH.406F		01.153	
PRODUCT		Satin Stainless Steel Grade 304	SUPPLIER
PANIC EXIT DEVICE	1045mm length X 2133mm height		LAIDLAW GULF LLC

DESCRIPTION

SURFACE VERTICAL ROD PANIC EXIT DEVICE

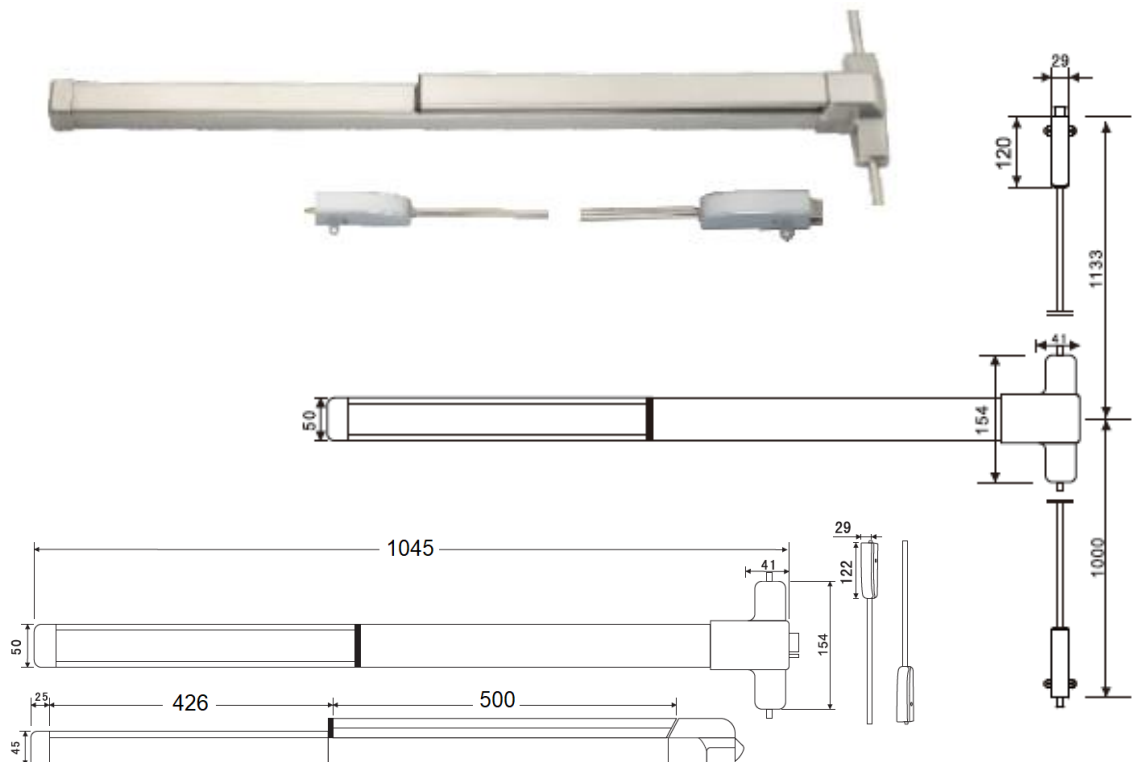
Features

- Two-point latching touch bar panic latch
- Pullman type vertical rod top and bottom latch
- 500mm length actuating touch bar
- Suitable up from 650mm to 1000mm door width
- Suitable up to 2133mm door height
- Suitable up to 200kg door weight
- Suitable up to 50mm door thickness
- With anti-thrust bolt
- Cut to size on site
- Stainless Steel Grade 304, satin finish

Classification

- UL listed: UL305 and UL10C
- ANSI/BHMA A 156.3 Grade 1

IMAGE / TECHNICAL DRAWING



LAIDLAW GULF LLC

P.O. Box: 185292, 301 Mayfair Building, DIP-1, Dubai, UAE
 Tel: 04-8857404 E-mail: info@laidlaw.ae
 Website: www.laidlaw.ae

Member : Guild of Architectural Ironmongers



ISO 9001 Certificate number AE87236A

