


PRODUCT CODE	SIZE	FINISH	
LG.LAPH.306S		01.153	
PRODUCT		Satin Stainless Steel Grade 304	SUPPLIER
PANIC EXIT DEVICE	1045mm length X 2133mm height		LAIDLAW GULF LLC

DESCRIPTION

SURFACE VERTICAL ROD PANIC EXIT DEVICE

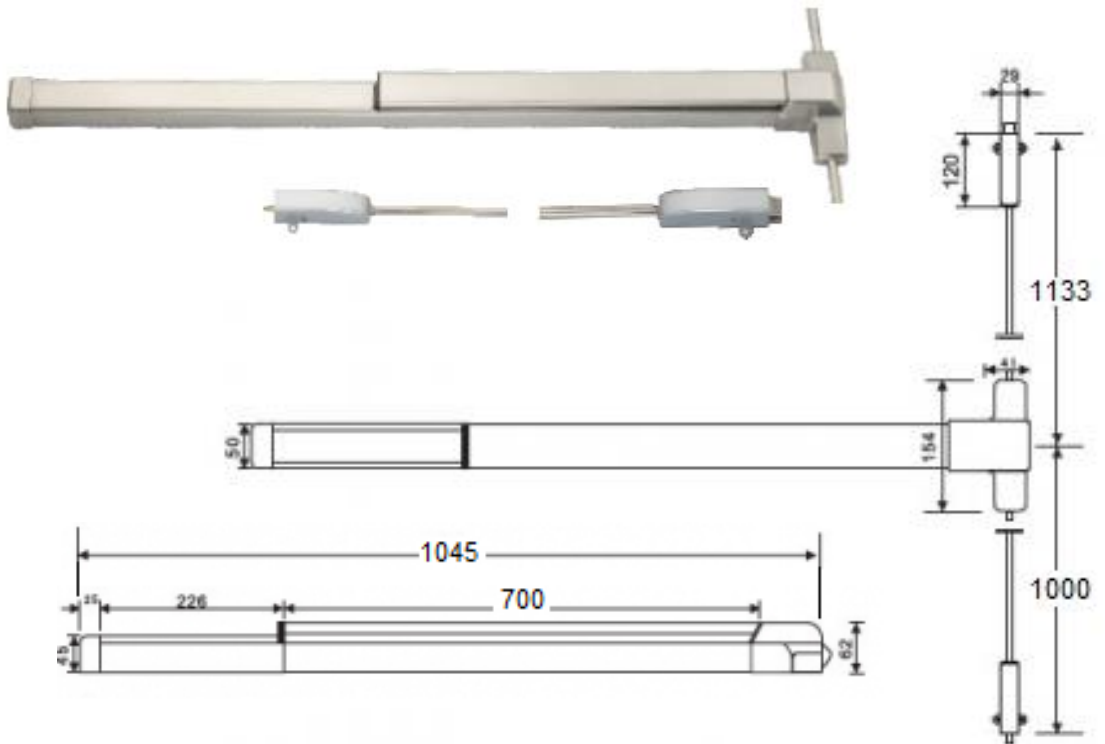
Features

- Two-point latching touch bar panic latch
- Pullman type vertical rod top and bottom latch
- 700mm length actuating touch bar
- Suitable up from 650mm to 1166mm door width
- Suitable up to 2133mm door height
- Suitable up to 200kg door weight
- Suitable up to 50mm door thickness
- With anti-thrust bolt
- Cut to size on site
- Stainless Steel Grade 304, satin finish

Classification

- BS EN 1125: 3/7/6/B/1/4/2/2/B/C
- CE Marked : Approved product, certificate no. 0905-CPR-000516-01
- Fire safety: Tested to EN 1634-1:2014, suitable for fire rated doors

IMAGE / TECHNICAL DRAWING



LAIDLAW GULF LLC
P.O. Box: 185292, 301 Mayfair Building, DIP-1, Dubai, UAE
Tel: 04-8857404 E-mail: info@laidlaw.ae
Website: www.laidlaw.ae

Member : Guild of Architectural Ironmongers



ISO 9001 Certificate number AE87236A

