


PRODUCT CODE	SIZE	FINISH	
LG.LAPH009		01.153	
PRODUCT		Stainless Steel Grade 304	SUPPLIER
OUTSIDE ACCESS DEVICE			LAIDLAW GULF LLC

DESCRIPTION

OUTSIDE ACCESS DEVICE

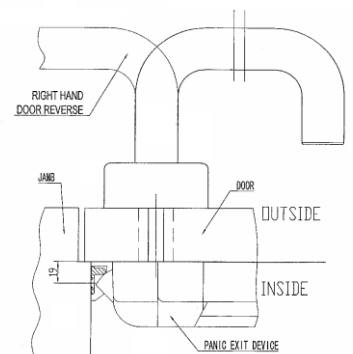
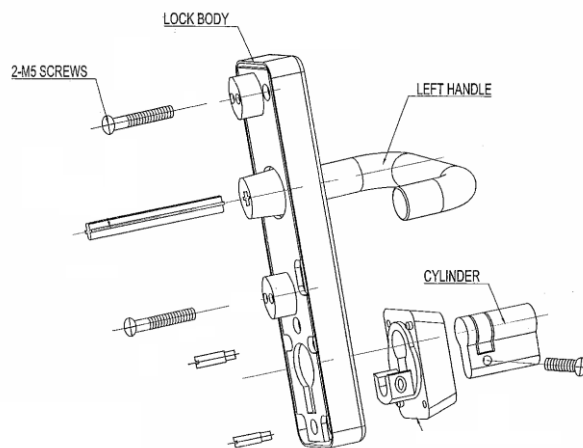
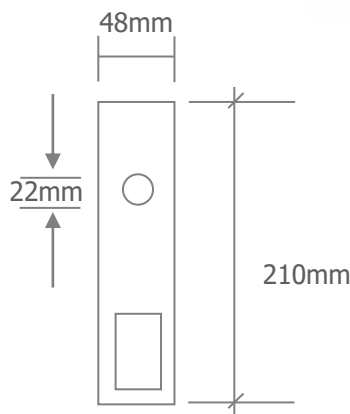
Features

- Lever type
- Key locks/unlocks the lever handle
- Prepared with euro profile cylinder hole
- Suitable up to 55mm door thickness
- Supplied with fixing screws
- Stainless Steel Grade 304, Satin finish

Classification

- Tested compatible accessory for Exit Device under BS EN 1125 certificate no. 0905-CPR-000516-01
- Fire safety: suitable for fire rated doors

IMAGE / TECHNICAL DRAWING



LAIDLAW GULF LLC
P.O. Box: 185292, 301 Mayfair Building, DIP-1, Dubai, UAE
Tel: 04-8857404 E-mail: info@laidlaw.ae
Website: www.laidlaw.ae

Member : Guild of Architectural Ironmongers



ISO 9001 Certificate number AE87236A

