


PRODUCT CODE	SIZE	FINISH	
LG.LA62	5500	01.153	
PRODUCT		Satin Stainless Steel Grade 304	SUPPLIER
MORTISE LATCH	55mm backset		LAILAW GULF LLC

DESCRIPTION

MORTISE LATCH

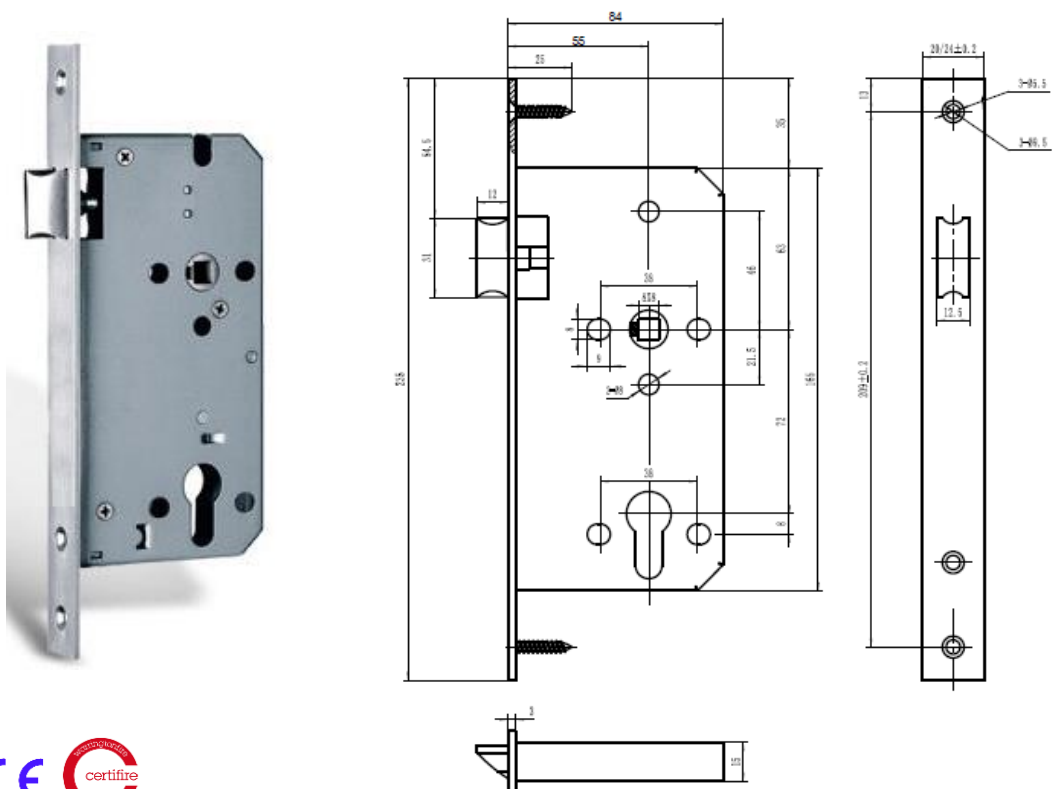
Features

- Non handed (reversible latchbolt)
- 55mm backset
- Single piece 24mm square forend in Satin Stainless Steel finish with matching strikeplate
- Springing suitable for unsprung lever furniture
- Supplied with fixing screws
- Stainless Steel Grade 304, Satin finish

Classification

- EN 12209 : 3/X/8/1/0/G/0/B/0/2/0
- CE Marked : Approved product, certificate no. 2812-CPR-AG5136
- Certifire : Approved product, certificate no. CF 5490
- Fire safety: Successful fire test to BS EN 1634-1

IMAGE / TECHNICAL DRAWING



LAILAW GULF LLC
P.O. Box: 185292, 301 Mayfair Building, DIP-1, Dubai, UAE
Tel: 04-8857404 E-mail: info@laidlaw.ae
Website: www.laidlaw.ae

Member : Guild of Architectural Ironmongers



ISO 9001 Certificate number AE87236A

