


PRODUCT CODE	SIZE	FINISH	
LG.LA901	004	01.153 NHO	
PRODUCT		Satin Stainless Steel Grade 304	SUPPLIER
FLOOR SPRING	EN SIZE 4	NON HOLD OPEN	LAILAW GULF LLC

DESCRIPTION

FLOOR SPRING

Features

- Fixed strength size 4
- Suitable for heavy duty application up to 150kg door
- Suitable up to 1100mm wide door
- Angle of Opening up to 130°
- Without Hold Open function
- suitable for fire rated doors
- Adjustable closing speed
- Supplied complete with single action accessories LG.LA900R.16.150, DIN Right hand
- Stainless Steel Grade 304, Satin finish cover

Classification

- BS EN 1154 : 3-8-4-1-1-3
- CE Marked : Approved product, certificate no. 2812-CPR-AD5305
- Fire safety: Suitable for fire rated doors

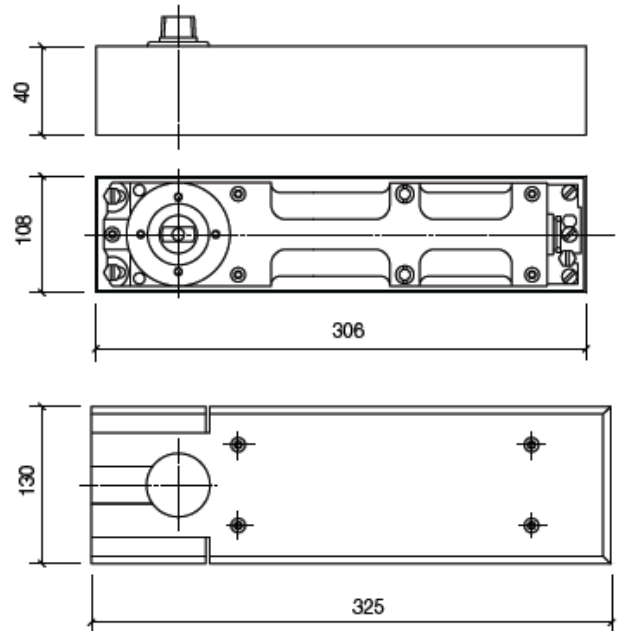
IMAGE / TECHNICAL DRAWING



Body and cover



LG.LA900R.16.150
Single action accessories
DIN Right Hand



LAILAW GULF LLC
P.O. Box: 185292, 301 Mayfair Building, DIP-1, Dubai, UAE
Tel: 04-8857404 E-mail: info@laidlaw.ae
Website: www.laidlaw.ae

Member : Guild of Architectural Ironmongers



ISO 9001 Certificate number AE87236A

