


PRODUCT CODE	SIZE	FINISH	
EM-NH500MDS			
PRODUCT		Zinc Plated	SUPPLIER
ELECTROMAGNETIC LOCK	1200 lbs Holding Force		LAILAW GULF LLC

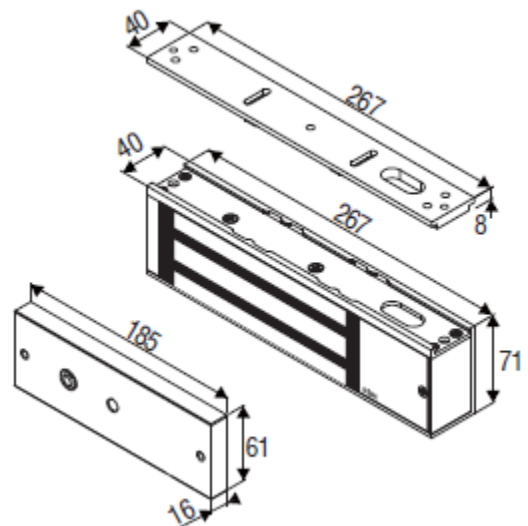
DESCRIPTION

ELECTROMAGNETIC LOCK

Features:

- Standard Electromagnetic Lock
- Dual voltage selectable 12 or 24 VDC
- Holding Force : up to 1200 lbs
- Surface mount, Monitored (Bond Sensor Output & Status LED) with Door Status
- Easy and quick to install designed with adjustable Slide-in mounting plate
- Fail safe
- UL Listed
- Finish : Zinc Plated

IMAGE / TECHNICAL DRAWING



LAILAW GULF LLC
P.O. Box: 185292, 301 Mayfair Building, DIP-1, Dubai, UAE
Tel: 04-8857404 E-mail: info@laidlaw.ae
Website: www.laidlaw.ae

Member : Guild of Architectural Ironmongers



ISO 9001 Certificate number AE87236A

