


PRODUCT CODE	SIZE	FINISH	
BTS-486			
PRODUCT		Satin Stainless Steel Grade 304	SUPPLIER
PUSH BUTTON SWITCH	85.5mm x 85.5mm		LAILAW GULF LLC

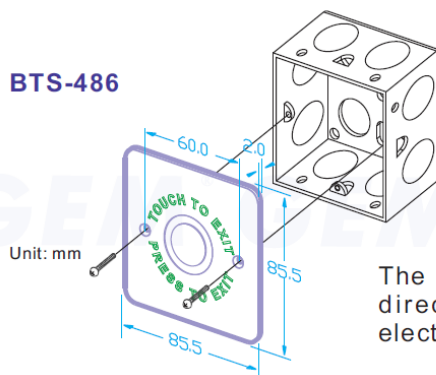
DESCRIPTION

TOUCH SENSITIVE SWITCH

Features:

- Size: 85.5mm X 85.5mm
- Adjustable switch delay timer (1 to 30 seconds)
- Finish: Satin Stainless Steel
- SPDT Relay rating: 3A@ 125V~
- Current: 60mA-100mA@12V DC
- Power input: 12-24V DC
- Bi-LED backlight indicate power and status
- Beeper sounds when relay activated
- Operating temperature: -20-+70°C

IMAGE / TECHNICAL DRAWING



British standard electrical box (excluded)

The BTS-486 can be mounted directly in British standard electrical box (Flush mount)

LAILAW GULF LLC
P.O. Box: 185292, 301 Mayfair Building, DIP-1, Dubai, UAE
Tel: 04-8857404 E-mail: info@laidlaw.ae
Website: www.laidlaw.ae

Member : Guild of Architectural Ironmongers



ISO 9001 Certificate number AE87236A

