


PRODUCT CODE	SIZE	FINISH	
LG.LA35 012		SNP	
PRODUCT		Satin Nickel Plated	SUPPLIER
LIMITING STAY	300mm x 355mm		LAILAW GULF LLC

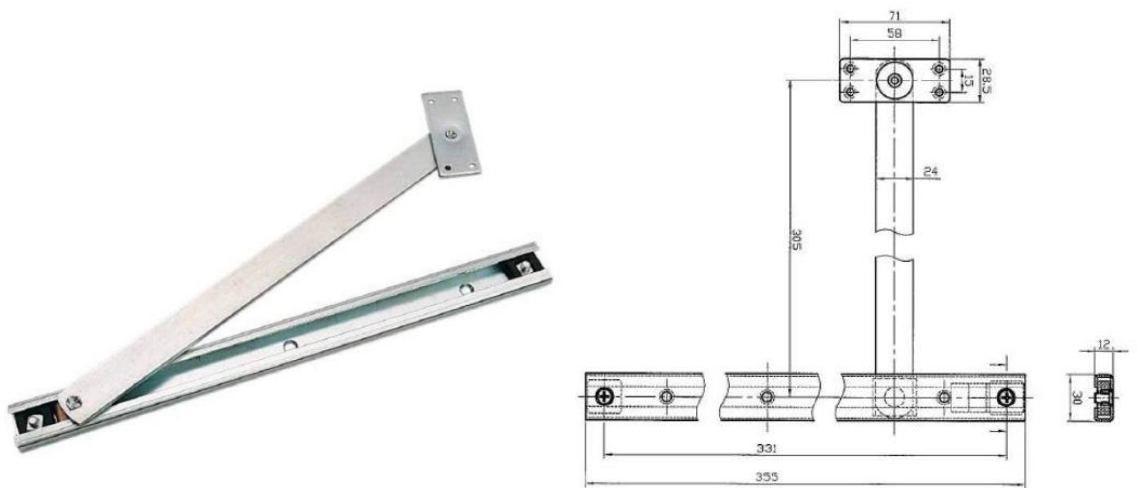
DESCRIPTION

LIMITING STAY

Features:

- 30mm X 355mm
- Limiting the opening angle of the door to 90 degrees
- used as an overhead stop if wall or floor mounted stop is not advisable
- Mortised type
- Satin Nickel Plated finish
- Supplied with fixing screws

IMAGE / TECHNICAL DRAWING



LAILAW GULF LLC

P.O. Box: 185292, 301 Mayfair Building, DIP-1, Dubai, UAE
 Tel: 04-8857404 E-mail: info@laidlaw.ae
 Website: www.laidlaw.ae

Member : Guild of Architectural Ironmongers



ISO 9001 Certificate number AE87236A

