


PRODUCT CODE	SIZE	FINISH	
LG.LA8210	204	16.150	
PRODUCT	EN Size 2 to 4		SUPPLIER
DOOR CLOSER			LIDLAW GULF LLC

**DESCRIPTION**

**SURFACE MOUNTED OVERHEAD DOOR CLOSER**

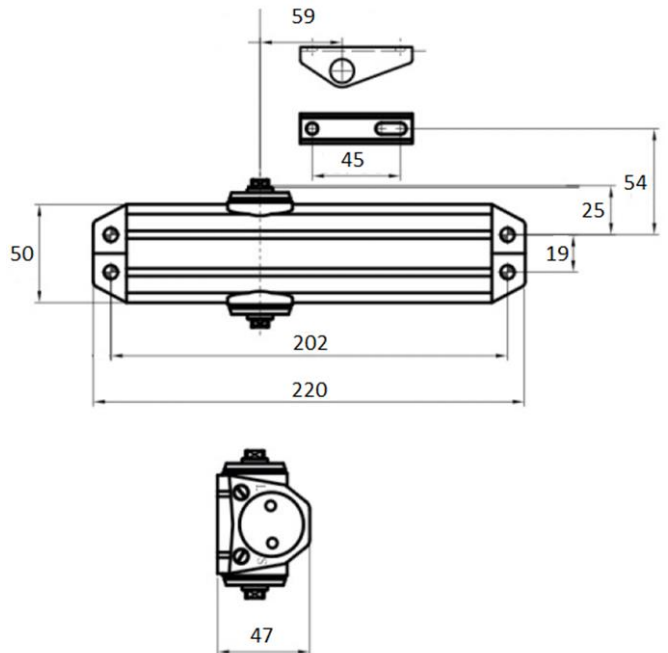
**Features**

- Adjustable power size EN 2-4
- with adjustable back check as a standard feature.
- Adjustable closing and latch action
- Non-Handed
- Suitable up to 1100mm door width
- Suitable up to 80kg door weight
- Body and Arm in Silver painted finish

**Classification**

- Tested to BS EN 1154
- CE Marked : Approved product
- Certifire Certificate number: CF5928  
with classification codes: 3/8/2-4/1/1/3
- Fire safety: Suitable for fire rated doors

**IMAGE / TECHNICAL DRAWING**



**LIDLAW GULF LLC**  
P.O. Box: 185292, 301 Mayfair Building, DIP-1, Dubai, UAE  
Tel: 04-8857404 E-mail: [info@laidlaw.ae](mailto:info@laidlaw.ae)  
Website: [www.laidlaw.ae](http://www.laidlaw.ae)

Member : Guild of Architectural Ironmongers



ISO 9001 Certificate number AE87236A

