


PRODUCT CODE	SIZE / PINS	FINISH	
LG.LA201E	70.6	04	
PRODUCT		Satin Nickel Plated	SUPPLIER
CYLINDER & TURN	70mm (35/35) length		LAIDLAW GULF LLC

DESCRIPTION

CYLINDER & TURN

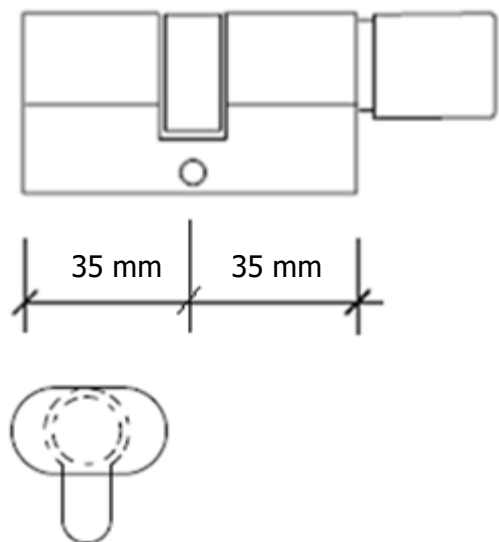
Features

- Europrofile
- 6 pins
- 70mm length (35/35mm)
- Brass body
- Supplied with 3 keys
- Not Under Master Key
- Satin Nickel plated finish

Classification:

- EN 1303:2005: 1-6-0-0-0-C-5-2
- Fire safety: Suitable for fire rated doors

IMAGE / TECHNICAL DRAWING



LAIDLAW GULF LLC
P.O. Box: 185292, 301 Mayfair Building, DIP-1, Dubai, UAE
Tel: 04-8857404 E-mail: info@laidlaw.ae
Website: www.laidlaw.ae

Member : Guild of Architectural Ironmongers



ISO 9001 Certificate number AE87236A

